

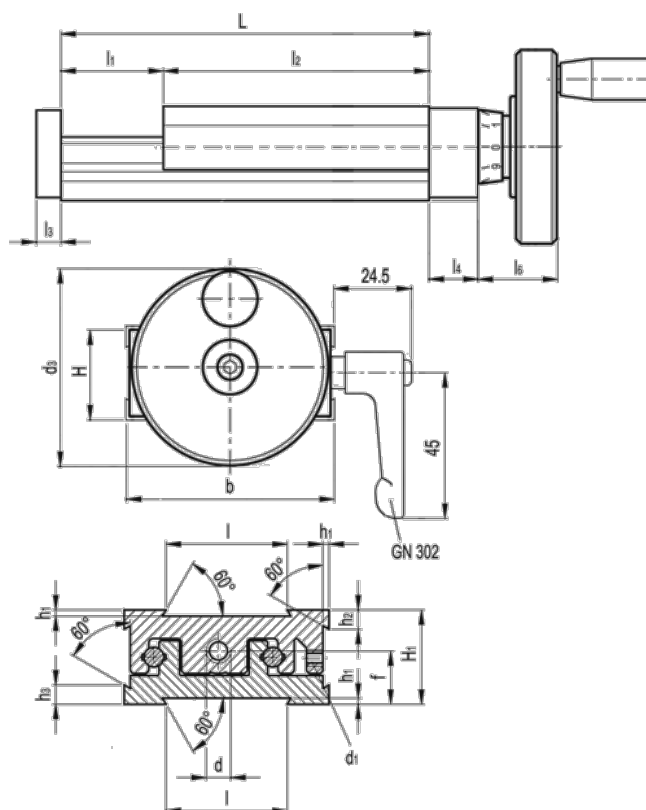
Data Sheet



Article number: 20773023

Description: Adjustable slide unit
GN 900-80-220-100-H-2

Measures



$b = 80$	$h_2 = 10.0$
$d = M8 \times 1$	$h_3 = 10.0$
$d_1 = M5$	$l = 50$
$d_3 = 80$	$L - l_1 = 220 - 100$
$f = 20.5$	$l_2 = 120$
$H = 35.5$	$l_3 = 8$
$h_1 = 2.0$	$l_4 = 16$
$H_1 = 36$	$l_6 = 31$